

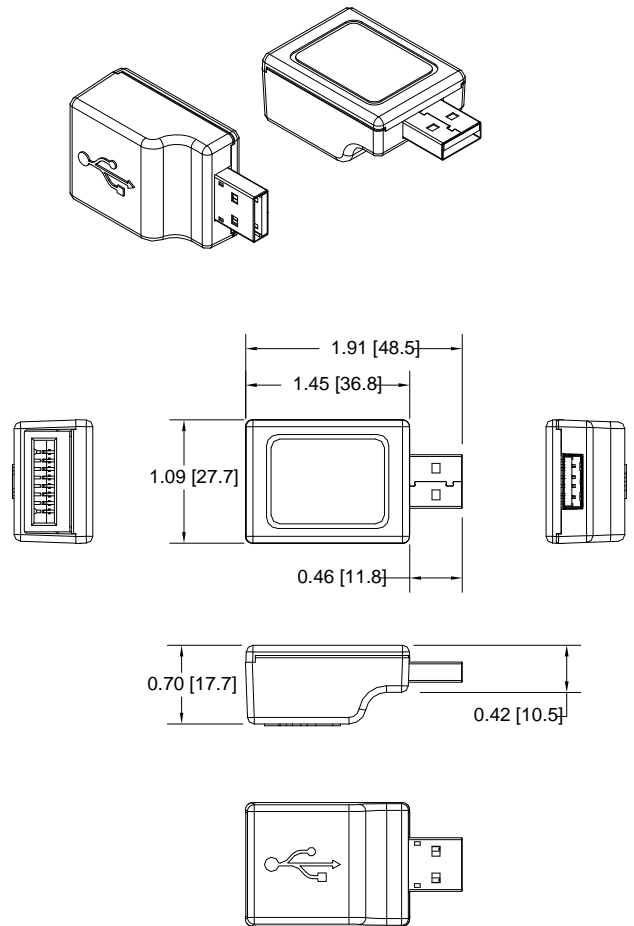
Datakey Electronics offers a PC Adapter for both the DFX (SD) and UFX (USB) RUGGEDrive™ tokens. Both Adapters feature a field-proven SR4220PCB Receptacle on one end (for the memory token) and a USB Type A connector on the other end (for easy direct connection to a PC).

The DFX PC Adapter features all circuitry necessary to convert the SD interface of the DFX Token to a USB 2.0 (high-speed) Mass-Storage-Device (MSD) interface (i.e. recognized as a letter drive on a standard PC). The UFX PC Adapter features a pass-through of the electrical signals of the UFX Token to a standard USB Type A connector form-factor.

Mechanical	
Operating Life (Token Socket)	50,000 insertion/removal cycles min.
Operating Life (USB Type A Connector)	1,500 insertion/removal cycles min.
Electrical	
Power Requirements	Supplied through USB Port, 5V
I/O Connector	Type A USB Interface (1.1 & 2.0 compatible)
Environmental	
Storage Temperature	-40° C to +100° C
Operating Temperature	0° C to +85° C (contact factory for options)
Relative Humidity	5% to 95% (non-condensing)
RoHS Compliant	Yes
Mating Component(s)	
DFX PC Adapter	DFX Tokens
UFX PC Adapter	UFX Tokens
Ordering Information ¹	
DFX PC Adapter	607-0081-000A
UFX PC Adapter	607-0082-000A

NOTE:

1: "A" suffix on part number indicates RoHS compliance.



Drawing dimensions are in inches and millimeters [mm].
Dimensions are nominal and subject to manufacturer's tolerances.

