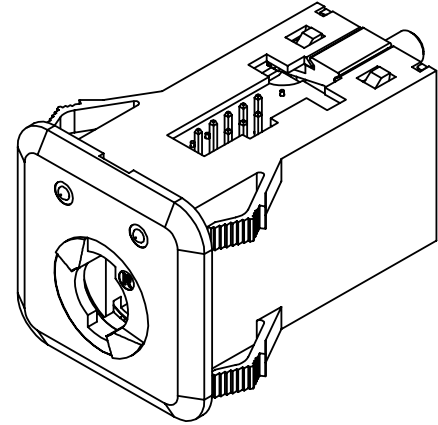


The KC4210 Keyceptacle is an interface connector for all Datakey Electronics' serial memory Keys. The device provides the physical and electrical connection between the serial Key and host hardware. It supports the interchangeable use of various capacity Keys and is designed to provide reliable connection over an operating life of at least 200,000 cycles (insertions and removals). The KC4210 also contains a Last-On/First-Off (LOFO) switch that may be used to protect the host bus by ensuring that Keys have made secure contact with the access Keyceptacle before any signals are transmitted.

Mechanical	
Operating Torque	85 m Nm (10 ounce-inch) maximum
Operating Life	200,000 insertion/removal cycles min.
Key Stop Sustaining Torque	1.7 Nm (15 inch-pounds)
Vibration	15 G's (three axis)
Condition	2 mm Peak amplitude sinusoidal
Excitation	100 rad/sec. to 2000 rad/sec.
	No mechanical degradation
	No contact discontinuity in excess of 1µs
	Refer to MIL-C55302 & MIL-1344
Electrical (Dielectric Strength)	
Contact Resistance	Beginning of Life: 100 mΩ
	End of Life: 500 mΩ
Terminal to Adjacent Terminal	200V
Terminal to Opposite Terminal	500V
Terminal to Mounting Panel	1500V
Environmental	
Storage Temperature	-40° C to + 105° C
Operating Temperature	-40° C to + 80° C
Relative Humidity	5% to 95% (non-condensing)
Mating Components	
Keys	All Serial Memory Keys
KC4210 Hinged Cover	Consult Factory
Ordering Information <sup>1</sup>	
KC4210 <sup>2</sup>	606-0052-018A
KC4210CC Slotted	606-0052-020A



Pin-Out Chart <sup>3</sup>			
Pin #	Microwire	I <sup>2</sup> C	SPI
1	NC	NC	NC
2	Power (V <sub>CC</sub> )	Power (V <sub>CC</sub> )	Power (V <sub>CC</sub> )
3	Ground (V <sub>SS</sub> )	Ground (V <sub>SS</sub> )	Ground (V <sub>SS</sub> )
4	NC	SIZE / RST <sup>4</sup>	/Hold
5	Chip Select	NC	/Chip Select
6	Data In	NC	Data In
7	Serial Clock	Serial Clock	Serial Clock
8	Data Out	Serial Add/Data	Data Out
9	NC	NC	NC
10	LOFO	LOFO	LOFO

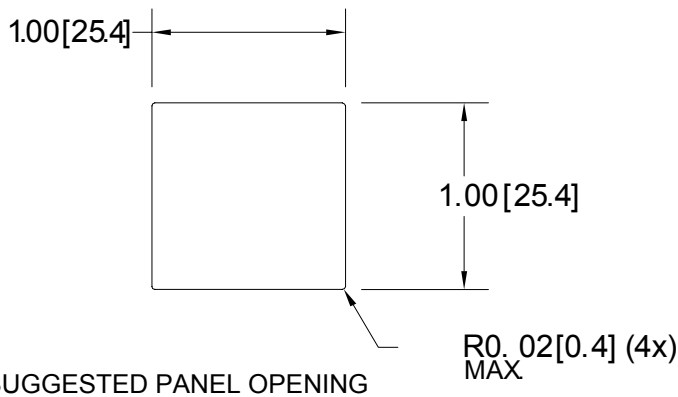
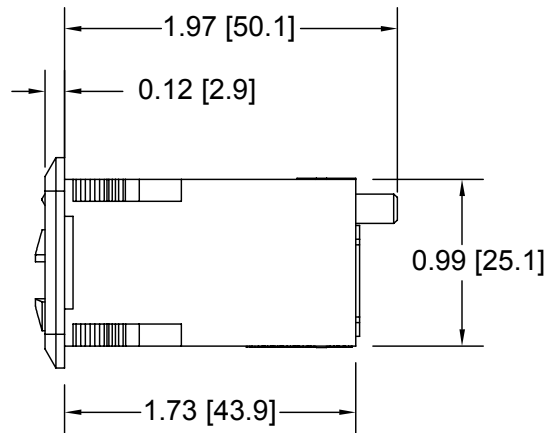
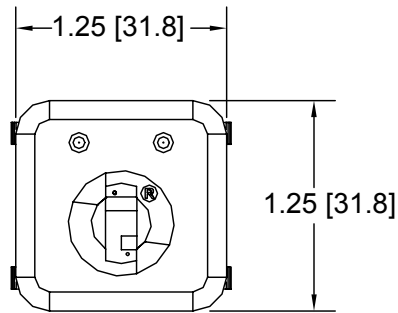
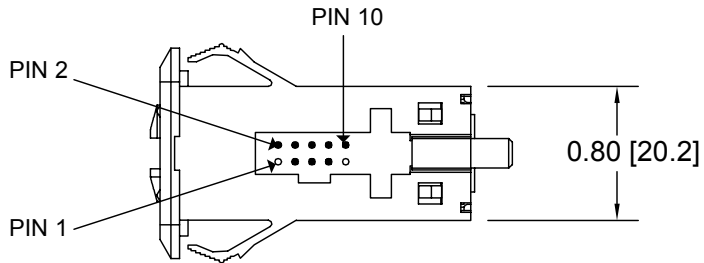
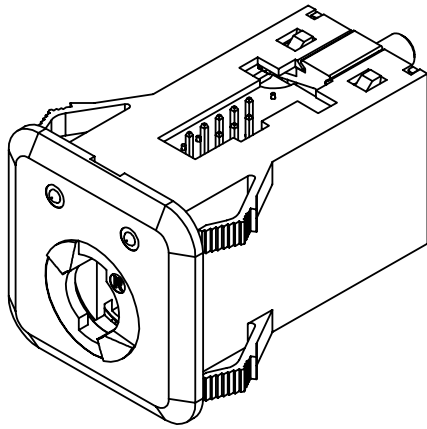
NC=No Connection

#### NOTES:

- 1: "A" suffix on part number indicates RoHS compliance.
- 2: The KC4210 is also available with LED indicators (see KC4210L).
- 3: Complete Interface Specifications available at:  
[http://www.datakeyelectronics.com/technical\\_inter\\_specs.html](http://www.datakeyelectronics.com/technical_inter_specs.html)
- 4: RST signal used on IJK Series only.

See next page for mechanical drawings.





Use for all cable connectors: AMP-LATCH<sup>®</sup> Series, 0.100" [2.54] Centerline Ribbon Cable Connector.

Retaining tabs pre-trimmed for 0.060" [1.52] thick panel from factory. Panel Hole: Max panel thickness: 0.156" [3.96]. For installation instructions, contact factory.

Drawing dimensions are in inches and millimeters [mm]. Dimensions are nominal and subject to manufacturer's tolerances.

