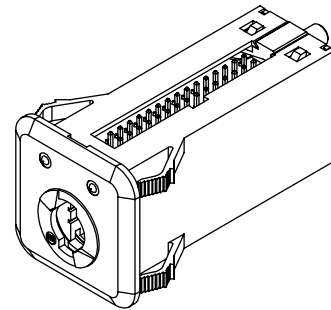


The KCUPK Keyceptacle is a universal interface connector that supports Datakey Electronics' complete family of parallel memory Keys. Designed for simple, reliable operation, the KCUPK unit works with the same simple motion as any household lock and key. It provides a protective housing for Key-to-host electrical contacts and is wear-rated for a minimum of 200,000 cycles (insertion/removal). The KCUPK also contains a Last-On/First-Off (LOFO) switch that may be used to protect the host bus by ensuring that Keys have made secure contact with the Keyceptacle before any signals are transmitted. The KCUPK access device is easy to install, with integral, self-locking tabs that permit quick, snap-fit mounting.



Mechanical	
Operating Torque	85 m Nm (10 ounce-inch) maximum
Operating Life	200,000 insertion/removal cycles min.
Key Stop Sustaining Torque	1.7 Nm (15 inch-pounds)
Vibration	15 G's (three axis) Non-operating
Condition	2 mm Peak amplitude sinusoidal
Excitation	100 rad/sec. to 2000 rad/sec.
	No mechanical degradation.
	No contact discontinuity in excess of 1 μ s
	Refer to MIL-C55302 & MIL-1344
Electrical	
Contact Resistance	Beginning of Life: 100 m Ω End of Life: 500 m Ω
Terminal to Adjacent Terminal	200V
Terminal to Opposite Terminal	500V
Terminal to Mounting Panel	1500V
Environmental	
Storage Temperature	-40° C to + 105° C
Operating Temperature	-40° C to + 80° C
Relative Humidity	5% to 95% (non-condensing)
Mating Component(s)	
Keys	PK Series
Ordering Information ¹	
KCUPK	606-0041-002A

Pin-Out Chart	
Pin #	Signal
1	A11
2	A12
3	VCC
4	A7
5	A8
6	A6
7	A9
8	A5
9	/WE
10	A4
11	/OE
12	A3
13	A10
14	A2
15	/CE
16	A1
17	I/O 7
18	A0
19	I/O 6
20	I/O 0
21	I/O 5
22	I/O 1
23	I/O 4
24	I/O 2
25	I/O 3
26	VSS
27	A13
28	A14
29	LOFO
30	LOFO

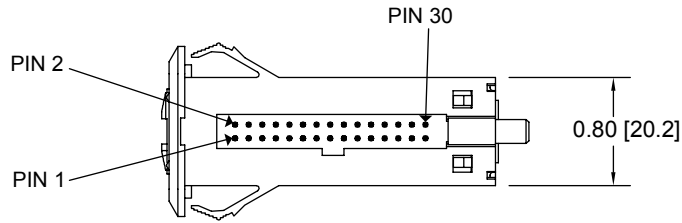
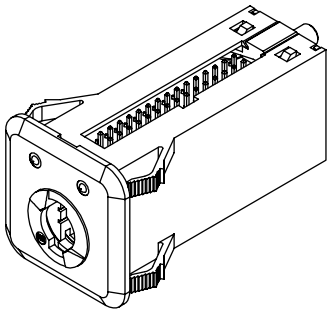
See next page for mechanical drawings.

NOTE:

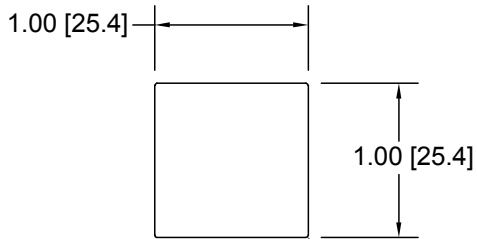
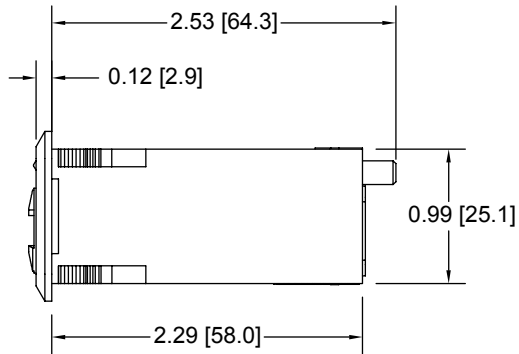
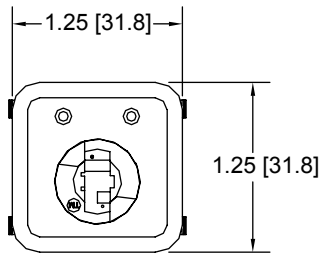
1: "A" suffix on part number indicates RoHS compliance.



KCUPK Parallel Memory Keyceptacle[®]



Use for all cable connectors:
AMP-LATCH[®] Series,
0.100" [2.54] Centerline
Ribbon Cable Connector.



Suggested Panel Opening

R0.02 [0.4]
MAX.

Retaining tabs pre-trimmed for 0.060" [1.52] thick panel from factory. Panel Hole: Max panel thickness: 0.156" [3.96]. For installation instructions, contact factory.

Drawing dimensions are in inches and millimeters [mm]. Dimensions are nominal and subject to manufacturer's tolerances.

