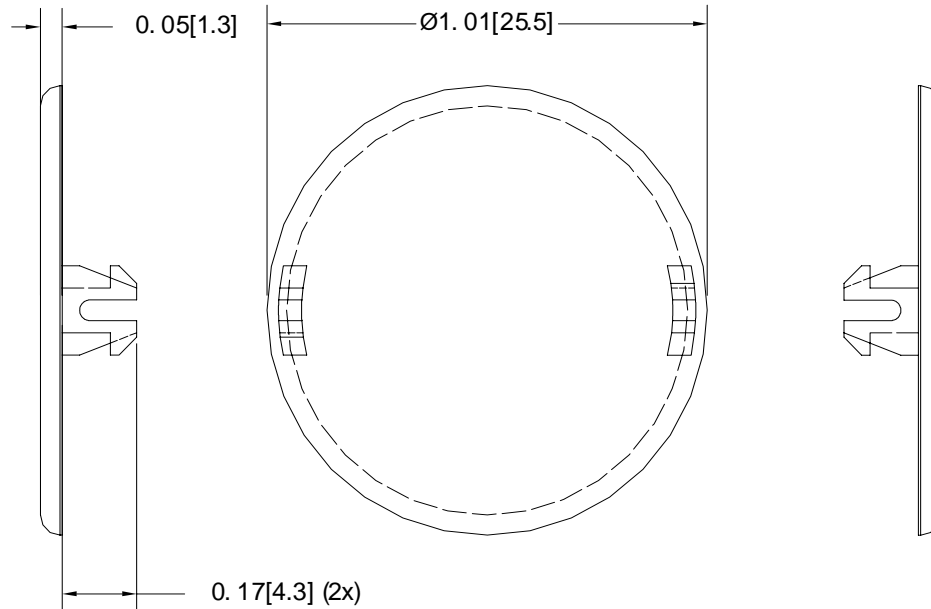
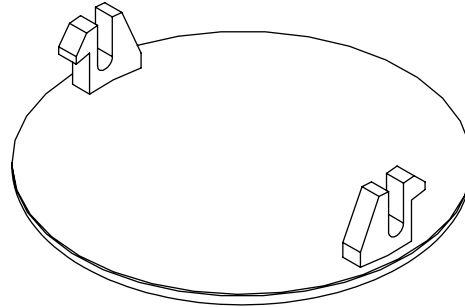


The KSD Cap works with the KSD Receptacle to protect the entry from debris prior to first use. The cap snaps into the KSD Receptacle to form a tight seal. It is intended for one use; not multiple insertions.

| Ordering Information <sup>1</sup> |               |
|-----------------------------------|---------------|
| KSD Cap                           | 329-0169-000A |
| Mating Component                  |               |
| KSD Receptacle                    | 615-0004-000A |



Drawing dimensions are in inches and millimeters [mm].  
Dimensions are nominal and subject to manufacturer's tolerances.

**NOTE:**

1: "A" suffix on part number indicates RoHS compliance.

