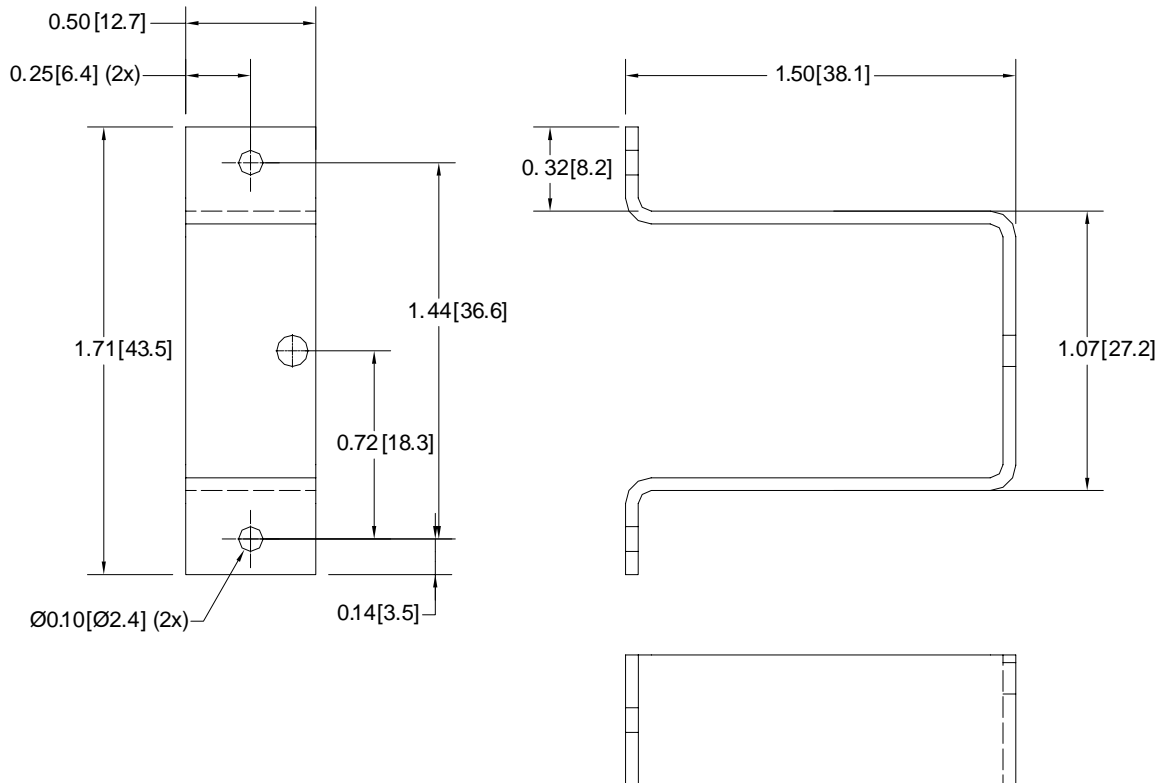
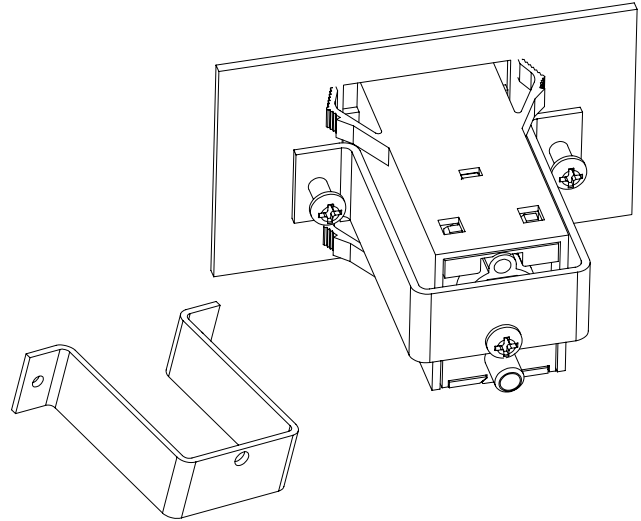


This Retaining Bracket augments retention of the KC4210 Keyceptacle in panel-mounting applications. This device is constructed of stainless steel and attaches with three (3) customer-supplied #4 x 3/8" self-tapping Phillips pan head screws.

Ordering Information <sup>1</sup>	
Keyceptacle Retaining Bracket <sup>2</sup>	326-0180-000A
Mating Components	
KC4210 Panel Mount	606-0052-018A
KC4210L Panel Mount w/LED	606-0052-012A
KC4210LCC Panel Mount w/LED/Conformal Coating	606-0052-015A
KC4210 Slotted	606-0052-020A

**NOTES:**

- 1: "A" suffix on part number indicates RoHS compliance.
- 2: Not compatible with KC4210RR.



Drawing dimensions are in inches and millimeters [mm]. Dimensions are nominal and subject to manufacturer's tolerances.

