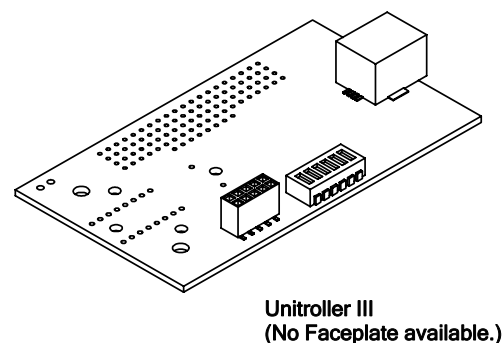
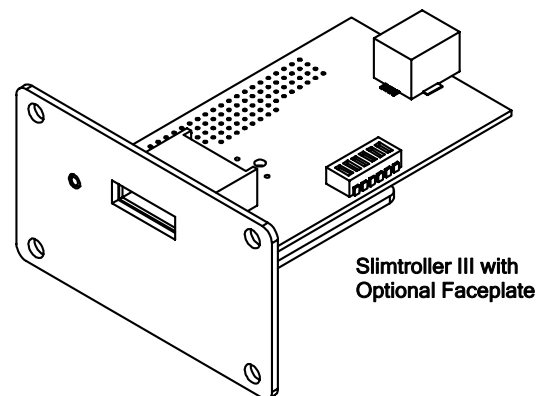
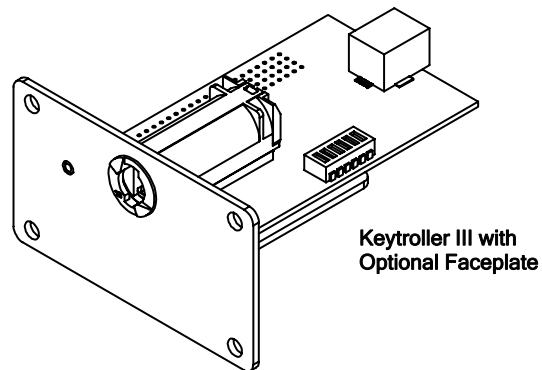


Designed for ease of integration, the **Keytroller III/Slimtroller III** Reader/Writers are single board, serial Key/Token interface units that connect quickly to host hardware via a USB port. Lightweight and space-saving, the unit includes communication cable and mounting accessories. The Keytroller III/Slimtroller III provides a USB communication interface between the serial data Keys/Tokens and their host with a simple command protocol. They support interchangeable use of Datakey Electronics' serial memory Keys and Tokens for applications in access authorization, data collection, parameter upload, data security, and more. **Optional faceplate is available.** For applications with limited space available immediately behind the control panel, the **Unitroller III** supports remotely connecting a panel-mount Keyceptacle[®] or Receptacle via a ribbon cable.

Mechanical	
Contact Life (Socket)	Keytroller III: 200,000 Slimtroller III: 50,000 Insertion/removal cycles minimum
Drop Shock	32" drop on carpet-covered concrete Repeated three times on each axis
Electrical	
Power Requirements	Supplied through USB 5V, 50mA typical
USB Connector	Type B USB Interface (1.1 & 2.0 compatible)
Throughput Speeds	Read speed: 4Mbits/sec, typical Write speed: 1Mbits/sec, typical
Environmental	
Storage Temperature	-40° C to 85° C
Operating Temperature	0° C to 70° C
Relative Humidity	5% to 95% (non-condensing)
Supplied Accessories	
Manual & Configuration Software on CD	USB Type A to B M/M 6 feet [1.82m]
Mating Component(s) ¹	
Keys or Tokens	Serial Memory Keys/Tokens
Keytroller III Faceplate	326-0181-008A
Slimtroller III Faceplate	326-0181-007A
Ordering Information ¹	
Keytroller III	607-0066-002A
Slimtroller III	607-0076-002A
Unitroller III	607-0069-004A



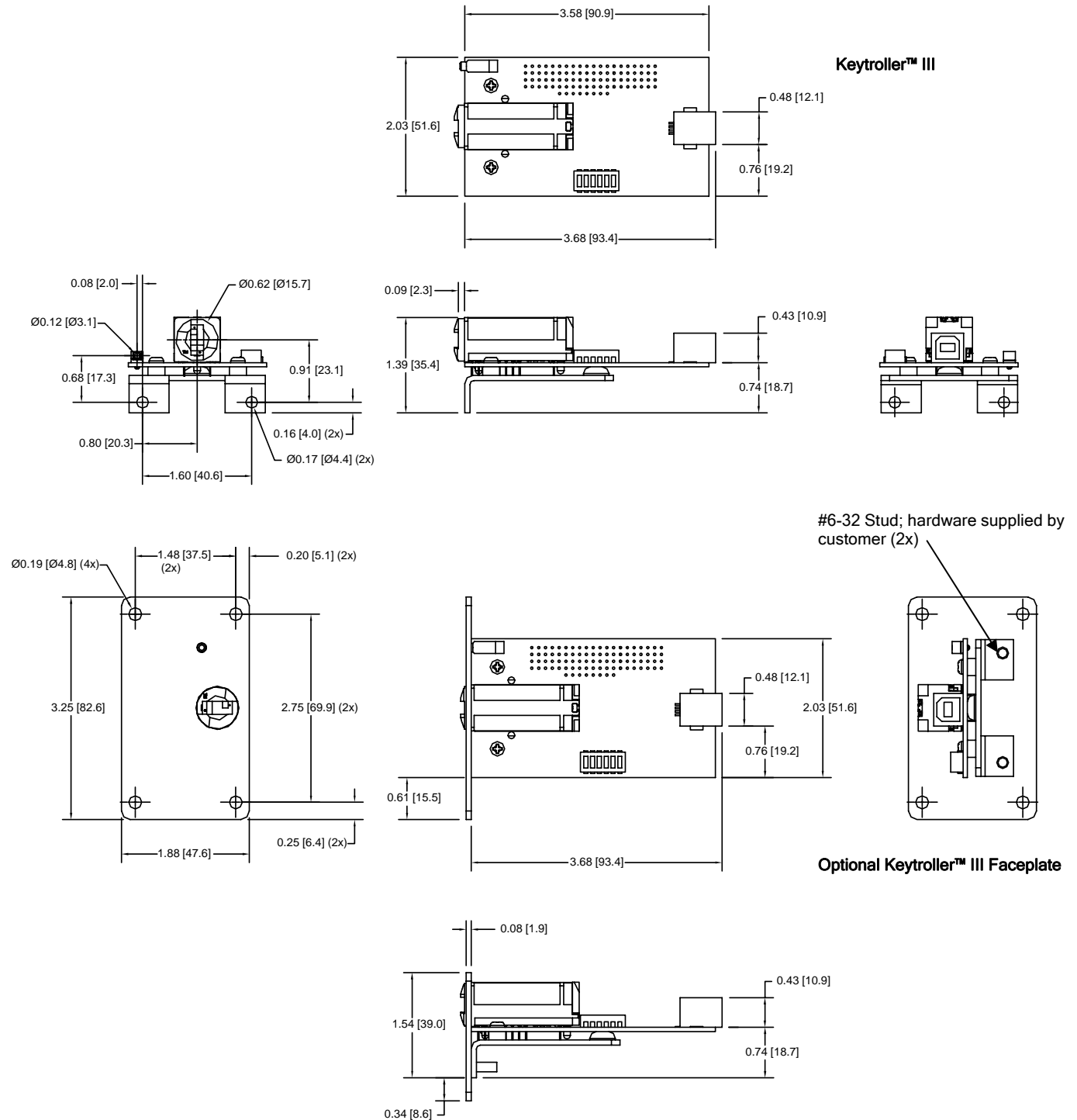
See next 3 pages for mechanical drawings.

NOTE:

1: "A" suffix on part number indicates RoHS compliance.



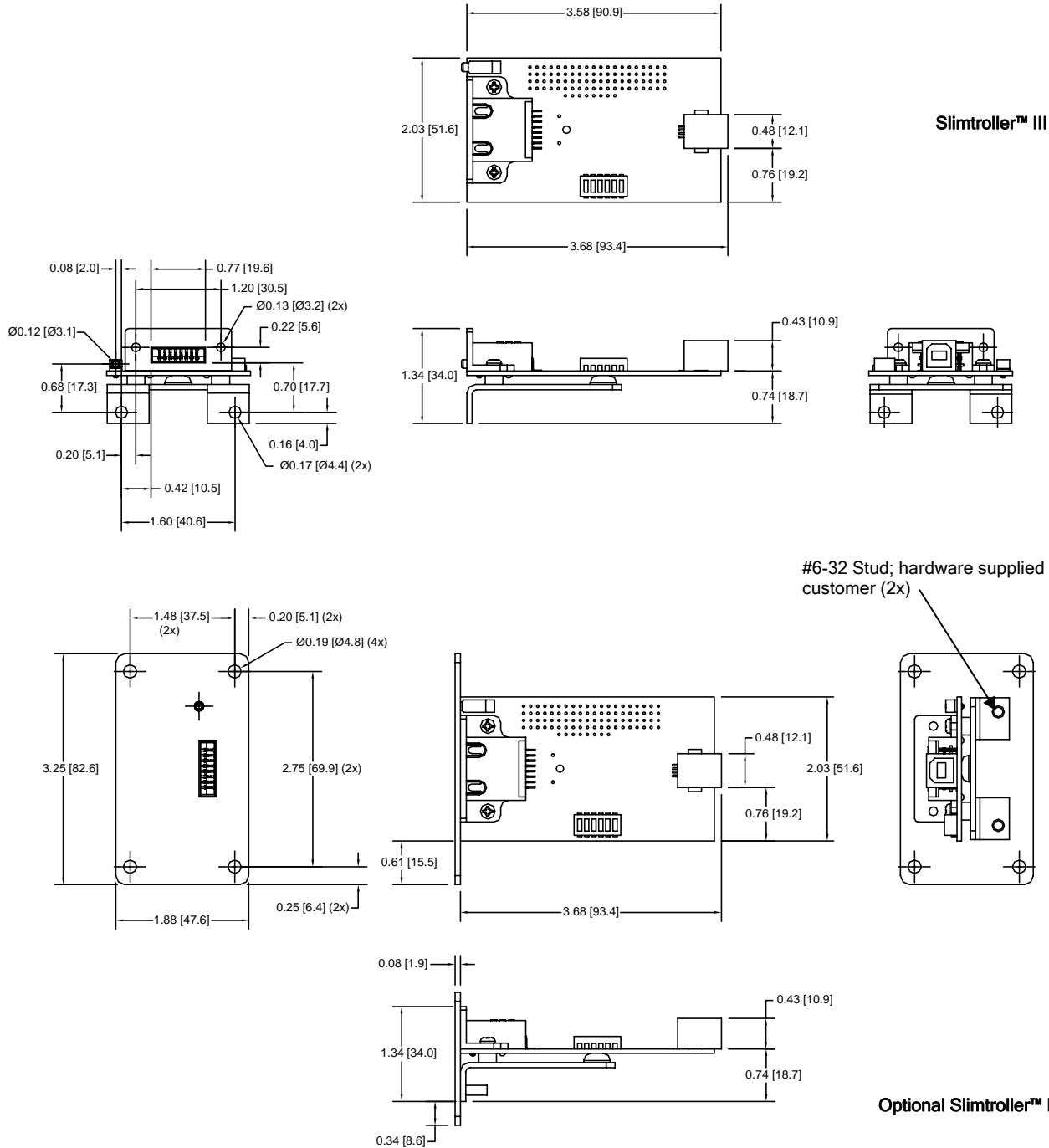
Keytroller™ III Reader/Writer Also Slimtroller™ III & Unitroller™ III



Drawing dimensions are in inches and millimeters [mm]. Dimensions are nominal and subject to manufacturer's tolerances.

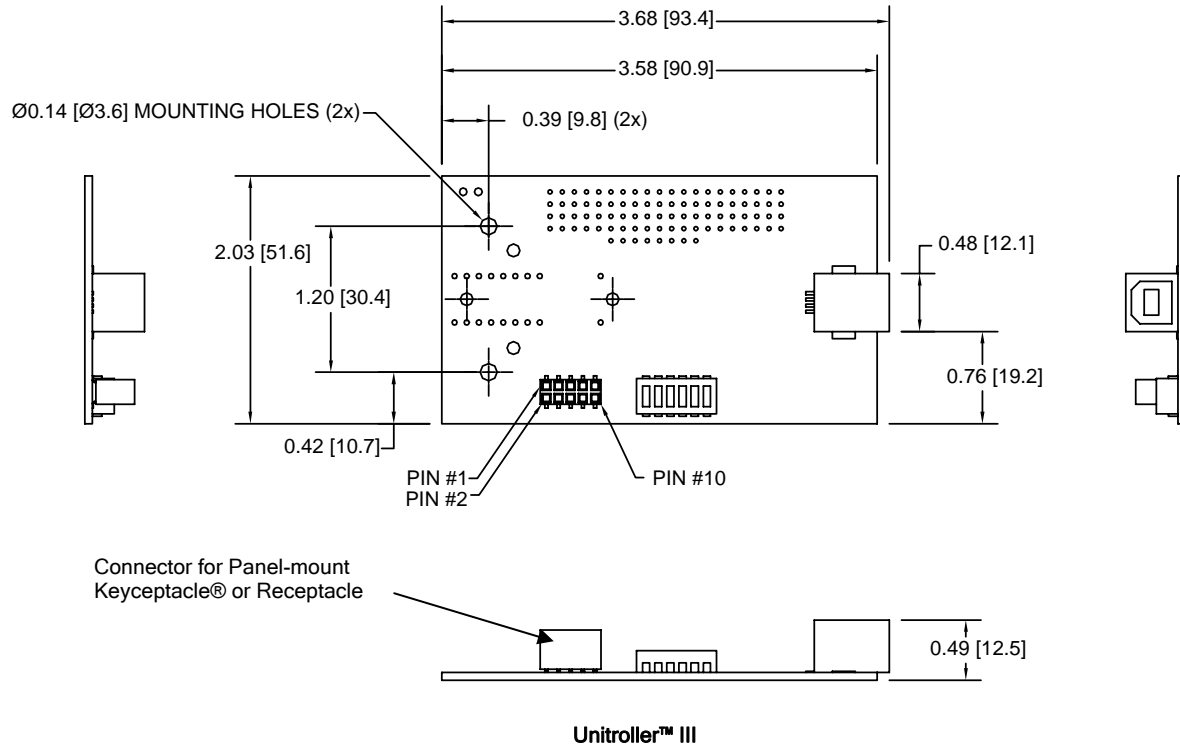


Keytroller™ III Reader/Writer Also Slimtroller™ III & Unitroller™ III



Drawing dimensions are in inches and millimeters [mm]. Dimensions are nominal and subject to manufacturer's tolerances.





NOTE: Unitroller™ III header connector is PIN:PIN compatible with Datakey Electronics' panel-mount KC4210 Keyceptacles® for Keys and panel-mount SR4210 Receptacles for Tokens. Mates with standard male ribbon cable connector (0.100" centers, 0.025" square pins).

Drawing dimensions are in inches and millimeters [mm]. Dimensions are nominal and subject to manufacturer's tolerances.

