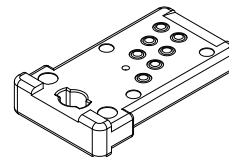
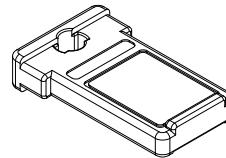
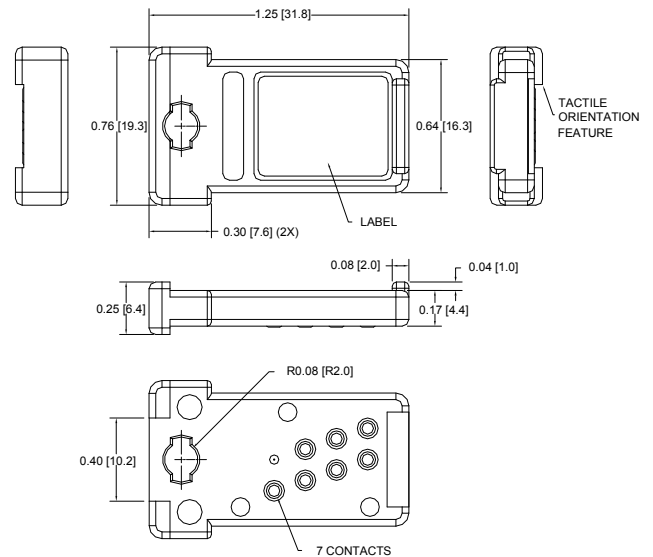


The LCB Bar Series Token is a portable data carrier containing 1Kbit to 16Kbit non-volatile, serial Microwire EEPROM memory<sup>1</sup> that is completely sealed against moisture and other corrosive elements. Designed to perform in tactical and other harsh environments, the LCB Bar Token is constructed of a rugged material that protects the embedded memory and is resistant to environmental influences such as vibration, ice, dirt, moisture, chemicals, and electrostatic discharge. It features a writable label<sup>4</sup> and is small enough to be carried in a pocket or to be placed on a keychain or lanyard. The LCB Bar Token is an ideal way to store and transfer data in the harshest environments.



Refer to Bar Receptacle data sheet for pin-out information.



Drawing dimensions are in inches and millimeters [mm].  
Dimensions are nominal and subject to manufacturer's tolerances.

### NOTES:

- 1: Customers must design to meet Datakey Electronics' Microwire Interface Specification (p/n 223-0017-003) to provide for future data carrier compatibility. Available at: <http://www.datakey.com>.
- 2: See Bar Receptacle datasheet for mechanical and environmental specifications when mated.
- 3: "A" suffix on part number indicates RoHS compliance. "X" indicates optional color number. Contact Factory for color options.
- 4: Compatible with ball point pen (non-erasable), pencil (erasable) and grease pencil (erasable).
- 5: **Design Recommendation:** It is recommended that all new Bar implementations be designed to operate with power supplies in the range of 2.7 to 3.6 volts. Although there is no immediate or certain future difficulties in the procurement of memory devices that operate with  $V_{cc}$  in the 4.5 to 5.5 volt range, it is possible the future availability of such memories may be impacted as semiconductor manufacturers continue to shrink their die geometries. Please contact the factory if you have any questions pertaining to this with your current or legacy design.
- 6: The Bulk Erase command is not supported at < 4.6V.

Mechanical <sup>2</sup>	
Color*	Black* body with white* label
Weight	3.6 g (0.13 ounces), typical
Contact Life	15,000 minimum insertion/removals
Drop Test	Multiple 10-ft drops to concrete
Electrical <sup>1</sup>	
Power, Active	25 milliwatts, typical at 5V
Power, Standby	200 microwatts, typical at 5V
Voltage	2.7V to 5.5V (3.3V recommended) <sup>5, 6</sup>
ESD Protection	15kV (air discharge) EN 61000-4-2
	EMI Reduction Circuitry on-board
Environmental <sup>2</sup>	
Storage Temperature	-40° C to +100° C
Operating Temperature	-40° C to +85° C
Relative Humidity	0% to 95% (non-condensing)
Immersion	MIL-STD-810F, Method 512.4 Proc. I
Salt-Fog	MIL-STD-810F, Method 509.4 Proc. I
Freezing Rain	MIL-STD-810F, Method 521.2 Proc. I; glaze ice
Altitude	≤ 40,000 ft (12,192 meters)
Solar Radiation	MIL-STD-810F, Method 505.4, Proc. II
Other	Contact factory for further information on additional qualification tests (including thermal shock, fungus, & chemical resistance)
Memory <sup>1</sup>	
Capacity	1Kbit (1024 bits), 4Kbit (4,096 bits), 16Kbit (16,384 bits)
Read Cycles	Unlimited
Write/Erase Cycles	1,000,000 Minimum
Data Life (Storage)	20 Years Minimum
Mating Component(s) <sup>3</sup>	
Bar Receptacle (long pins)	606-0068-000A
Bar Receptacle (short pins)	606-0069-000A
Reader/Writer	Consult factory.
Ordering Information <sup>3</sup>	
LCB1000	611-0192-00XA
LCB4000	611-0193-00XA
LCB16000	611-0194-00XA

\* Contact Factory for addition token and/or label color options

