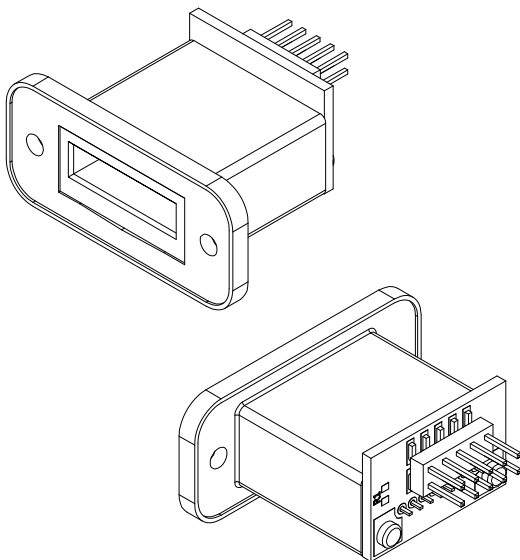


## SR4410 Panel-Mount Series Enhanced Protection Receptacle

The SR4410 series are “behind-panel” mount interface connectors that mate with all Datakey Electronics’ serial memory SlimLine™, Extended SlimLine, and NFX Tokens (see Token data sheets for more details). This series is designed with custom mounting features and details to provide enhanced water protection. The Receptacle body has a 2-piece construction – combining the field-proven Datakey Electronics SlimLine Receptacle frame/contact system on the inside with a tough outer “shell” that provides additional strength and environmental protection. The Receptacle is available in a splash-proof (i.e. IP-65, SR4410SP) version and an immersion rated (i.e. IP-67, SR4410IM) version. It is also available with the outer shell molded in a highly conductive material to provide EMI reduction (i.e. IP-67 & EMI, SR4410EI) through both reflection and absorption.

As with all Datakey Electronics SlimLine Token Receptacles, this Receptacle series features corrosion-resistant, gold dot contacts that perform reliably over a wear life of at least 50,000 insertion/removal cycles. The Receptacle includes a detent mechanism that gives users tactile confirmation when an inserted token is physically engaged. The Token/Receptacle System also provides a Last-On/First-Off (LOFO) contact that is used by system designers to protect the host bus by ensuring that Tokens have made secure contact with the Receptacle before any signals are transmitted (please contact factory for this option with NFX Tokens). The Receptacles feature two non-threaded holes allowing for a variety of customer-supplied fasteners to be used. A gasket is provided with each Receptacle for sealing. See the SR4200 series for information on our standard line of Token Receptacles.

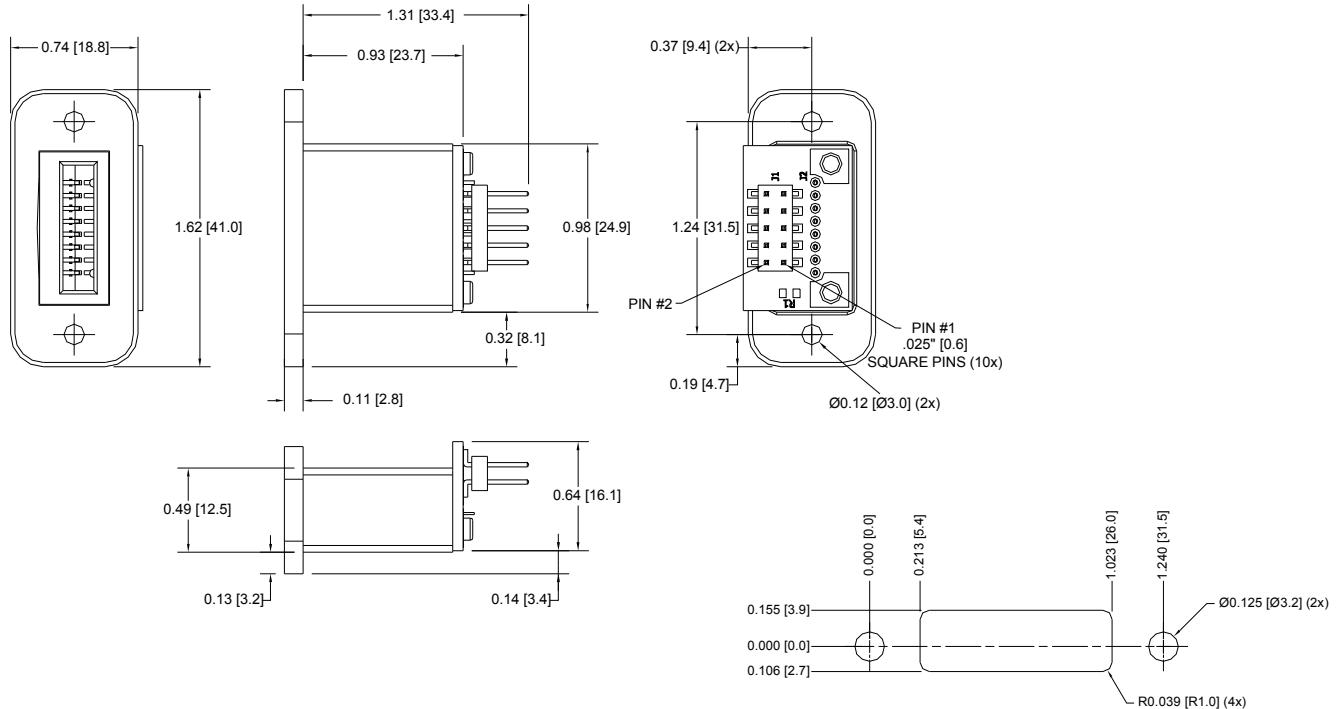


### NOTES:

- 1: “A” suffix on part number indicates RoHS compliance.
- 2: Customers must design to meet Datakey Electronics’ Interface Specifications to provide for future data carrier compatibility. Available at [http://www.datakeyelectronics.com/technical\\_inter\\_specs.htm](http://www.datakeyelectronics.com/technical_inter_specs.htm)
- 3: RST signal used on IIT Series only.

Mechanical	
Operating Life	50,000 insertion/removal cycles min.
Insertion Force	400 grams min. / 2 Kgrams max.
Removal Force	300 grams min. / 2 Kgrams max.
Vibration	MIL-STD 810F, Test Method 514.5 15Gs (three axes) operating
Electrical	
Contact Resistance	Beginning of Life: < 100 mΩ End of Life: < 500 mΩ
Environmental	
Storage Temperature	-40°C to +100°C
Operating Temperature	-40°C to +85°C
Relative Humidity	5% - 95% (non-condensing)
Salt-Fog	MIL-STD 810F Method 509.4 Proc. 1
Mating Component(s)	
Tokens	All Serial SlimLine™ and NFX Tokens
Connector	Mates with AMP-LATCH® Series, 0.100" Centerline Ribbon Cable Connector
Gasket Material (Receptacle provides positive over-tighten protection.)	Temperature-Resistant Silicone (SR4410SP/SR4410IM Versions) Electrically Conductive Silicone (SR4410EI Version)
Gasket Thickness	0.032", nominal
Ordering Information <sup>1</sup>	
SR4410SP (IP-65)	606-0071-000A
SR4410IM (IP-67)	606-0071-001A
SR4410EI (IP67/EMI)	606-0071-002A





**Installation Recommendation:** For best water drainage, it is recommended that the Receptacle be installed with the output connector above the housing as shown above.

**Note:** Installation hardware is supplied by the customer.

**Panel Cut-Out / Hole Pattern Recommendation:**

The above recommended panel cut out is for standard “behind-panel” mounting of the SR4410 Receptacle. Contact factory for further details.

Drawing dimensions are in inches [millimeters]. Dimensions are nominal and subject to manufacturer’s tolerances.

Pin-Out Chart <sup>2</sup>				
PIN #	Microwire	I <sup>2</sup> C	SPI	NFX
Pin 1	NC	NC	NC	NC
Pin 2	Power (V <sub>CC</sub> )	Power (V <sub>CC</sub> )	Power (V <sub>CC</sub> )	Power (V <sub>CC</sub> )
Pin 3	Ground (GND)	Ground (GND)	Ground (GND)	Ground (GND)
Pin 4	Do Not Use	SIZE / RST <sup>3</sup>	Do Not Use	Do Not Use
Pin 5	Chip Select (CS)	Do Not Use	/Chip Select (/CS)	/Chip Select (/CS)
Pin 6	Data In (DI)	Do Not Use	Data In (SI)	MOSI
Pin 7	Serial Clock (SK)	Serial Clock (SCL)	Serial Clock (SCK)	Serial Clock (SCK)
Pin 8	Data Out (DO)	Serial Add/Data (SDA)	Data Out (SO)	MISO
Pin 9	Do Not Use	Do Not Use	/Hold	DP (USB)
Pin 10	LOFO	LOFO	LOFO	DM (USB)

NC = No Connection

