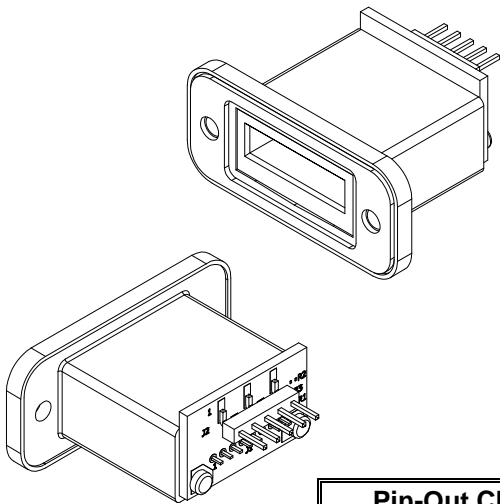


UR4410 Panel-Mount Series Enhanced Protection Receptacle

The UR4410 series are “behind-panel” mount interface connectors that mate with Datakey Electronics’ UFX RUGGEDrive™ (USB) memory tokens – providing a convenient, standard USB 2.0 (high-speed) Mass-Storage-Device interface for embedded systems. See UFX Token data sheet for more details. The UR4410 receptacles feature a standard 5-pin motherboard header for easy and quick integration into embedded systems.

This receptacle series is designed with custom mounting features and details to provide enhanced water protection. The receptacle body has a 2-piece construction – combining the field-proven Datakey Electronics SlimLine Receptacle frame/contact system on the inside with a tough outer “shell” that provides additional strength and environmental protection. The receptacle is available in a splash-proof (i.e. IP-65, UR4410SP) and in an immersion rated (i.e. IP-67, UR4410IM) version. The outer shell can also be molded in a highly conductive material to provide EMI reduction (i.e. IP-67 & EMI, UR4410EI) through both reflection and absorption.

As with all Datakey Electronics Token Receptacles, this receptacle series features corrosion-resistant, gold dot contacts that perform reliably over a wear life of at least 50,000 insertion/removal cycles. The receptacle includes a detent mechanism that gives users tactile confirmation when an inserted token is physically engaged. The receptacles mount from behind the front panel and feature two non-threaded holes allowing for a variety of customer-supplied fasteners to be used. A gasket is provided with each receptacle for sealing. See the SR42xx PCB-mount, UR4210 and UR4310 panel mount data-sheets for other UFX Token mating receptacle options.



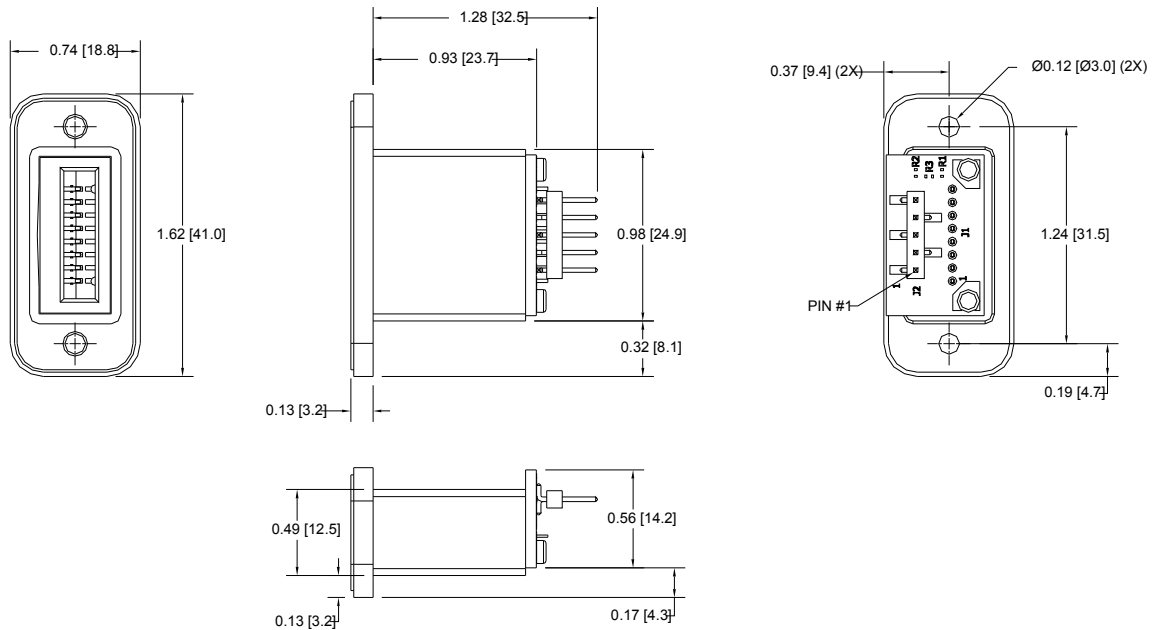
Pin-Out Chart	
PIN #	UFX (USB)
Pin 1	+5V
Pin 2	DM
Pin 3	DP
Pin 4	GND
Pin 5	SHLD

Mechanical	
Operating Life	50,000 insertion/removal cycles min.
Insertion Force	400 grams min. / 2 Kgrams max.
Removal Force	300 grams min. / 2 Kgrams max.
Vibration	MIL-STD 810F, Test Method 514.5 15Gs (three axes) operating
Electrical	
Contact Resistance	Beginning of Life: < 100 mΩ
	End of Life: < 500 mΩ
Environmental	
Storage Temperature	-40°C to +100°C
Operating Temperature	-40°C to +85°C
Relative Humidity	5% - 95% (non-condensing)
Salt-Fog	MIL-STD 810F Method 509.4 Proc. 1
Mating Component(s)	
Tokens	UFX RUGGEDrive™ (USB) Tokens
Connector	5-pin (1x5 male) .100" centerline standard motherboard header
Gasket Material (Receptacle provides positive over-tighten protection.)	Temperature-Resistant Silicone (UR4410SP/UR4410IM Versions) Electrically Conductive Silicone (UR4410EI Version)
Gasket Thickness	0.032", nominal
Ordering Information ¹	
UR4410SP (IP-65)	606-0078-000A
UR4410IM (IP-67)	606-0078-001A
UR4410EI (IP-67/EMI)	606-0078-002A

NOTES:

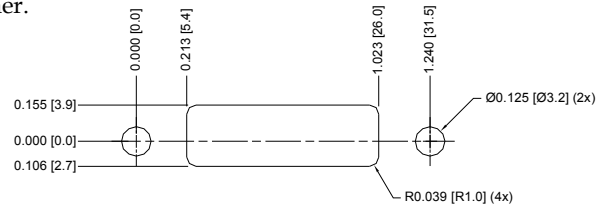
1: "A" suffix on part number indicates RoHS compliance.





Installation Recommendation: For best water drainage, it is recommended that the Receptacle be installed with the output connector above the housing as shown above.

Note: Installation hardware is supplied by the customer.



Panel Cut-Out / Hole Pattern Recommendation:

The above recommended panel cut out is for standard "behind-panel" mounting of the UR4410 Receptacle. Contact factory for further details.

Drawing dimensions are in inches [millimeters]. Dimensions are nominal and subject to manufacturer's tolerances.

